

LCDM ***Corporation***

An Employee Owned Company

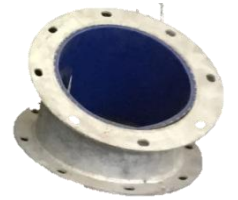
2017 List Price Catalog



Full Flow K-Valves



Full Flow Y-Valves



Elbows



Slide Gates

Indiana

1611 North Binkley Road
Larwill, Indiana 46764

John: 260-327-3996

Website: www.lcdmcorp.com
E-Mail: contact@lcdmcorp.com
Fax: 717-502-0938

Pennsylvania

871 Range End Road
Dillsburg, PA 17019

Jeff: 888-963-9145



**Home of the
DBAR Cushion Box!**



www.lcdmcorp.com



You can find us on Facebook by searching
"LCDM Corporation"



Search for our company page by searching
"LCDM Corp"



Watch our field videos on YouTube by searching
"LCDM Corporation"



You can find us on Twitter by searching
"LCDM Corp"

Pricing in this catalog is subject to change without notice.

Table of Contents

Table of contents	1
Where to buy	2
Round Spouting	3
Adjustable Elbows	4
Clamp Bands, Welding Sleeves, Spout Patches, Spout Sleeves, Spout Caps	5
Truss Kits	6
Truss Kit Accessories	7
Angle Rings and Wedges	8
Square Spouting	9
Transitions	10
Rack and Pinion Slide Gates	12
Cushion Boxes	14
Inline Flow Retarder, Expansion Joints, Vertical Drop Cushion Box	15
LCDM Adjustable Cushion Box	16
Valves	18
Overflow Valves, Gated Overflows, Gated Branches, Gated Valves	20
Round Style Branches	21
Lining Materials	22
Specialized Bulk Handling Equipment	23
Product Dimensions	24

Please consult factory for plain carbon and stainless steel pricing

Terms: 2% (10 days) Net 30

LCDM Company and Distribution Information

4 Convenient Locations!

LCDM Distribution Warehouse (Larwill, IN)

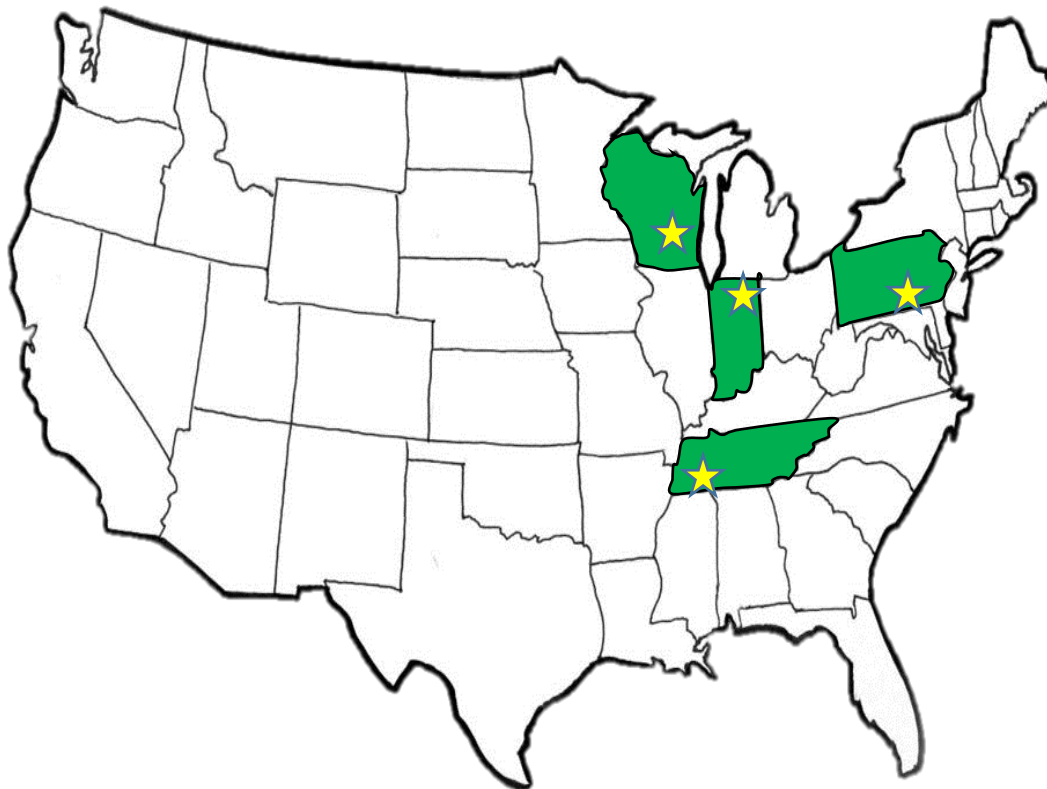
This is where the majority of our inventory is stored. We also assemble parts at this location. This location was setup to serve the Midwest market. The warehouse is conveniently located along Route 30 just west of Ft. Wayne, Indiana. It is also only 25 minutes south of Brock.

Midwest General Repair and Fab (Reeseville, WI)

One of our newest distribution centers, located in Reeseville, WI, was set up to help serve the Upper Midwest market. Parts ordered in the surrounding states will ship from this location. Please contact LCDM for more information on this location.

Watkins & Sons Manufacturing (Lindon, TN)

One of our newest distribution centers, located in Lindon, Tennessee, was set up to serve the Southeastern market. Parts ordered in the surrounding states will ship from this location. Please contact LCDM for more information on this location.



LCDM Headquarters (Dillsburg, PA)

All of the design and manufacturing comes out of this location. We also assemble and store some of our inventory here.

Galvanized Spouting

*Painted/plain carbon spouting available upon request

Size	Gauge	Stick Price (\$ / ft.)	Weight Per Foot (Approx.)
4"	14	\$3.74	3.5lbs/ft.
5"	14	\$4.99	4.2lbs./ft.
5"	12	\$6.66	5.6lbs/ft
6"	14	\$5.13	5.0lbs./ft.
6"	12	\$6.88	6.9lbs./ft.
8"	11	\$9.13	10.3lbs./ft.
8"	10	\$9.99	11.8lbs.ft.
8"	7	\$14.06	15.6lbs.ft
8"	1/4"	\$24.99	20.9lbs./ft.
10"	11	\$11.88	12.8lbs./ft.
10"	10	\$12.49	14.5lbs./ft.
10"	7	\$18.44	19.8lbs./ft.
10"	1/4"	\$31.24	26.3lbs./ft.
12"	10	\$19.99	17.5lbs./ft.
12"	7	\$28.74	23.8lbs./ft.
12"	1/4"	\$42.49	31.6lbs./ft.
14"	10	\$28.74	20.5lbs./ft.
14"	7	\$35.63	27.7lbs./ft.
14"	1/4"	\$48.74	36.9lbs./ft.
16"	7	\$42.49	31.7lbs./ft.
16"	1/4"	\$51.25	42.4lbs./ft.



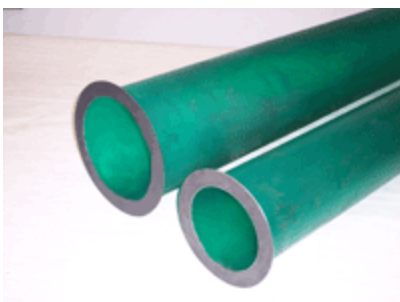
Spout Loadout Socks

Loadout socks are designed to control the dust on your loadout spouts. Each set comes with a flange and band to hold the sock in place. Socks are made of a heavy duty polyester material with a sewn seam. Socks come in 5' lengths.

Size	Price
6"	\$212.50
8"	\$212.50
10"	\$262.50
12"	\$262.50
14"	\$273.00
16"	\$310.00
18"	\$315.00
20"	\$320.00



Tuff-Tube is a replaceable slip-in liner that extends the life of round tubing. Tuff-Tube has been used in the agriculture, aggregate, mining, and fertilizer industries and has had great success. Tube lining can be rotated independently from the pipe for extended use. It can be purchased in lengths up to 40' long (although it is recommended to be ordered in 20' lengths). Please call LCDM Corp for more information and pricing.

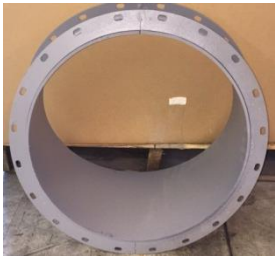


- Round Spouting
- Adjustable Elbows
- Spouting Accessories
- Truss Kits
- Cable and Accessories
- Flanges/Wedges
- Square Spouting
- Transitions
- Rack and Pinion Slide Gates
- Cushion Boxes/ Inline Flow Retarders
- DBAR Cushion Box
- Valves
- Overflows/ Gated Valves
- Branches
- Material Handling Equipment
- Lining Materials
- Product Dimensions
- Custom Projects

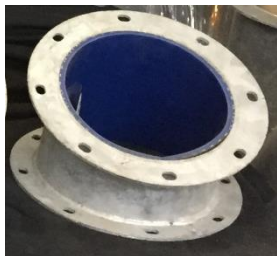
Adjustable Elbows (Hot Dipped Galvanized)

1-piece 2-piece 3-piece

Size	Gauge	Liner Option	22 1/2°	45°	67 1/2°
6"	10	No liner	\$23.44	\$53.56	\$83.69
6"	10	Blue Urethane	\$63.70	\$134.09	\$204.48
6"	10	Ceramic Tile	\$109.78	\$226.06	\$342.34
8"	10	No liner	\$30.63	\$68.38	\$106.13
8"	7	No liner	\$29.68	\$66.30	\$102.92
8"	1/4"	No liner	\$56.64	\$120.21	\$183.79
8"	10	Blue Urethane	\$73.28	\$153.68	\$234.08
8"	10	Ceramic Tile	\$109.78	\$226.50	\$343.22
8"	10	7G AR	Call	Call	Call
10"	10	No liner	\$36.24	\$80.23	\$124.21
10"	7	No liner	\$37.11	\$82.03	\$126.95
10"	1/4"	No liner	\$62.49	\$131.91	\$201.34
10"	10	Blue Urethane	\$90.05	\$187.85	\$285.65
10"	10	Ceramic Tile	\$120.25	\$248.31	\$376.37
10"	10	7G AR	Call	Call	Call
12"	10	No liner	\$46.88	\$106.19	\$165.50
12"	7	No liner	\$45.63	\$103.69	\$161.75
12"	1/4"	No liner	\$80.00	\$172.44	\$264.88
12"	10	Blue Urethane	\$123.60	\$259.64	\$395.68
12"	10	Ceramic Tile	\$153.35	\$319.14	\$650.72
12"	10	7G AR	Call	Call	Call
14"	10	No liner	\$59.03	\$135.54	\$212.05
14"	7	No liner	\$62.49	\$142.46	\$222.44
14"	1/4"	No liner	Call	Call	Call
14"	10	Blue Urethane	\$146.55	\$310.59	\$474.63
14"	10	Ceramic Tile	\$255.19	\$527.87	\$799.55
14"	10	7G AR	Call	Call	Call
16"	10	No liner	Call	Call	Call
16"	7	No liner	\$89.99	\$204.98	\$319.96
16"	1/4"	No liner	\$118.75	\$262.50	\$406.25
16"	10	Blue Urethane	\$182.50	\$390.00	\$597.50
16"	10	Ceramic Tile	\$350.95	\$726.89	\$1,102.83
16"	10	7G AR	Call	Call	Call
18"	7	No liner	\$99.99	\$237.46	\$374.94
18"	1/4"	No liner	Call	Call	Call
18"	7	Blue Urethane	\$222.50	\$482.49	\$742.48
18"	7	Ceramic Tile	\$416.09	\$869.66	\$1,323.23
18"	7	7G AR	Call	Call	Call
20"	7	No liner	\$143.50	\$331.99	\$520.48
20"	1/4"	No liner	Call	Call	Call
20"	7	Blue Urethane	Call	Call	Call
20"	7	Ceramic Tile	\$555.50	\$1,155.99	\$1,756.48
20"	7	7G AR	Call	Call	Call
24"	7	No liner	Call	Call	Call
24"	1/4"	No liner	Call	Call	Call
24"	7	Blue Urethane	Call	Call	Call
24"	7	Ceramic Tile	Call	Call	Call
24"	7	7G AR	Call	Call	Call



20" Painted Elbow



Urethane Lined Elbow



Ceramic Tile Lined

CALL FOR PRICED AND STAINLESS STEEL PRICES

Spouting Accessories

Clamp Bands

* Galvanized Clamp Bands include hardware.

Size	Price
6"	\$6.50
8"	\$6.94
10"	\$7.81
12"	\$10.19
14"	\$17.49
16"	\$21.88
18"	\$37.49
20"	\$44.99
24"	\$49.99



Welding Sleeves (24")

* Welding sleeves are manufactured out of pre-galvanized material.

Size	Gauge	Price
6"	12	Call
8"	12	\$37.68
10"	12	\$42.41
12"	12	\$51.81
14"	10	\$66.20
16"	10	\$75.10
18"	10	\$92.94
20"	10	\$164.74
24"	10	\$172.65



Spout Saddles

* Spout Saddles are manufactured out of pre-galvanized material and come with hardware.

Size	Gauge	Price
6"	10	\$35.13
8"	10	\$36.24
10"	10	\$45.00
12"	10	\$52.50
14"	10	\$61.25
16"	10	\$74.99
18"	10	Call
20"	10	Call
24"	10	Call



Pipe Sleeves

* Pipe Sleeves are manufactured out of pre-galvanized material and come with hardware.

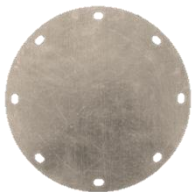
Size	Gauge	Price
6"	12	\$68.75
8"	12	\$73.75
10"	12	\$83.75
12"	12	\$93.75
14"	12	\$102.50
16"	12	\$111.25
18"	12	Call
20"	12	Call
24"	12	Call



Round Spout Caps

* Round caps are manufactured out of pre-galvanized material.

Size	Gauge	Price
6"	10	\$11.15
8"	10	\$16.40
10"	10	\$17.65
12"	10	\$25.14
14"	10	\$43.95



Square Spout Caps

* Square caps are manufactured out of pre-galvanized material.

Size	Gauge	Price
6"	10	\$16.40
8"	10	\$16.40
10"	10	\$17.23
12"	10	\$23.78
14"	10	\$43.46



Round Spouting
Adjustable Elbows
Spouting Accessories
Truss Kits
Cable and Accessories
Flanges/Wedges
Square Spouting
Transitions
Rack and Pinion Slide Gates
Cushion Boxes/ Inline Flow Retarders
DBAR Cushion Box
Valves
Overflows/ Gated Valves
Branches
Material Handling Equipment
Lining Materials
Product Dimensions
Custom Projects

Round Spout Truss Kits



Benefits and Features of LCDM Truss Kits

- Truss Kits arrive pre-assembled
- The design cuts field labor in half
- Outside frame is galvanized square tube
- Internal frame is galvanized angle iron
- Call us for recommended truss kit layout in spout run

Spout Size	Up to 40'		Up to 60'		Up to 80'		Up to 100'	
	w/cable	w/o cable	w/cable	w/o cable	w/cable	w/o cable	w/cable	w/o cable
6"	\$704.00	\$550.40	\$897.21	\$672.00	\$1,539.20	\$1,280.00	\$1,587.20	\$1,280.00
8"	\$720.00	\$566.40	\$897.21	\$672.00	\$1,571.20	\$1,312.00	\$1,619.20	\$1,312.00
10"	\$776.00	\$622.40	\$915.20	\$688.00	\$1,598.40	\$1,344.00	\$1,651.20	\$1,344.00
12"	\$825.60	\$672.00	\$939.20	\$771.20	\$1,688.00	\$1,433.60	\$1,830.40	\$1,523.20
14"	\$865.60	\$712.00	\$990.40	\$822.40	\$1,864.00	\$1,604.80	\$1,912.00	\$1,604.80
16"	\$1,027.20	\$873.60	\$1,115.90	\$947.90	\$2,228.80	\$1,969.60	\$2,276.80	\$1,969.60

Please contact LCDM for any size spouts over 16"

Cable and Accessories

Cable (Galvanized Aircraft)



Description	Price per foot
3/16" (7x19)	\$0.16/ft
5/16" (7x19)	\$0.36/ft
3/8" (7x19)	\$0.46/ft
1/2" (6x19)	\$0.95/ft
5/8" (6x19)	\$1.24/ft



Turnbuckles (Galvanized)



Description	Price Each
1/2" x 9" (Jaw to eye)	\$6.24
1/2" x 12" (Jaw to Eye)	\$7.69
5/8" x 6" (Jaw to Eye)	\$8.13
5/8" x 9" (Jaw to eye)	\$9.38
5/8" x 12" (Jaw to Eye)	\$11.24



Cable Clamps



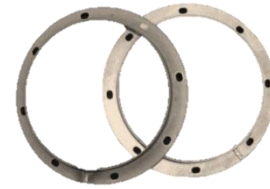
Description	Price Each
3/16"	\$0.15
5/16"	\$0.31
3/8"	\$0.41
1/2"	\$0.69



- Round Spouting
- Adjustable Elbows
- Spouting Accessories
- Truss Kits
- Cable and Accessories
- Flanges/Wedges
- Square Spouting
- Transitions
- Rack and Pinion Slide Gates
- Cushion Boxes/Inline Flow Retarders
- DBAR Cushion Box
- Valves
- Overflows/Gated Valves
- Branches
- Material Handling Equipment
- Lining Materials
- Product Dimensions
- Custom Projects

Angle Iron Flanges

- 6"-10" have 13/32" slot x 5/8" hole
- 12"-24" have 3/16" slot x 7/16" hole



Size	Material	Weight (lbs.)	I.D	# of holes	Carbon Steel
6"	Rolled (1/8")	2	6 1/16"	6	\$6.24
8"	Rolled (1/8")	2.25	8 1/16"	8	\$6.24
10"	Rolled (1/8")	2.75	10 1/16"	8	\$6.94
12"	Rolled (3/16")	6	12 1/8"	12	\$11.38
14"	Rolled (3/16")	7	14 1/8"	12	\$12.49
16"	Rolled (3/16")	9.5	16 1/8"	16	\$15.38
18"	Rolled (3/16")	10.5	18 1/8"	16	\$18.50
20"	Rolled (3/16")	11.5	20 1/8"	20	\$20.00
22"	Rolled (3/16")	12.75	22 3/16"	20	\$22.19
24"	Rolled (3/16")	14	24 3/16"	20	\$25.31

* Contact us for galvanized prices

* Contact us for sizes not shown

Round Flanges

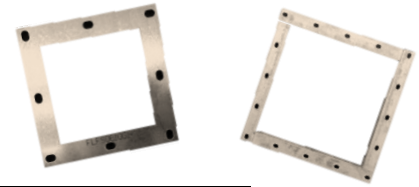


Size	Flat Flange (10 Gauge)	Flat Flange (8 Gauge)
6"	\$8.20	*
8"	\$9.84	\$11.48
10"	\$12.99	\$13.13
12"	\$13.13	\$14.76
14"	\$14.76	\$18.04

**Flat flanges are pre-galvanized material

**Larger sizes available upon request

Square Flanges



Size	Flat Flange (10 Gauge)	Flat Flange (8 Gauge)	Angle Iron (3/16")
6"	\$13.13	*	\$17.28
8"	\$14.44	\$15.09	\$18.04
10"	\$15.09	\$15.75	\$19.78
12"	\$15.75	\$17.71	\$24.03
14"	\$19.03	\$21.65	\$25.25

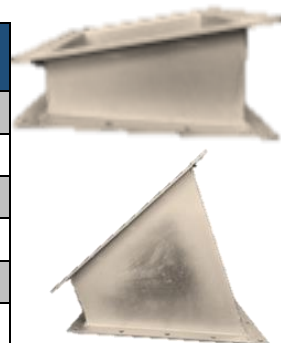
**Flat flanges are pre-galvanized material

**Angle iron flanges are carbon steel

**Larger sizes available upon request

10° and 45° Square Wedges

Size	10 Gauge	8 Gauge	7 Gauge AR Lined (Add)	¼" Urethane Lined (Add)	¼" Ceramic Tile Lined (Add)
6"	\$60.69	*	Call	Call	Call
8"	\$67.91	\$82.20	Call	Call	Call
10"	\$75.59	\$86.53	Call	Call	Call
12"	\$87.95	\$110.96	Call	Call	Call
14"	\$102.20	\$128.38	Call	Call	Call
16"	\$108.59	\$145.83	Call	Call	Call



Welded Seam Square Spouting

Galvanized Material (Standard)

- Standard 10' lengths
- Stainless and carbon steel available upon request
- Please call LCDM for sizes not listed below



Size	12 gauge Flanged and Unflanged	10 gauge Flanged and Unflanged	8 gauge Flanged and Unflanged	1/4" Flanged and Unflanged
6"				
8"				
10"				
12"	All square spouting is made to order. Call for pricing.			
14"				
16"	If you need something not listed, please give us a call.			
18"				
20"				
24"				
30"				
36"				

Removable Lid Square Spouting

Galvanized Material (Standard)

- Standard 10' lengths
- Liner packages include full width bottom and 2/3 of each side
- All liner packages are manufactured to be replaceable
- Contact LCDM for stainless steel pricing

Tuff Tube spout liner available



Size	12 gauge Unlined	10 gauge Unlined	7 gauge AR Lined	1/4" Urethane Blue	5/16" Urethane Blue	5/16" Ceramic Chip Urethane	1/4" UHMW	1/4" High Energy Orange	1/4" Kryptane Red	1/4" Ceramic Tile
6"										
8"										
10"										
12"	All square spouting is made to order. Call for pricing.									
14"										
16"	<i>We offer all of the above liner options and replacement liners.</i>									
18"										
20"	If you need something not listed above, please give us a call.									
24"										
30"										
36"										

- Round Spouting
- Adjustable Elbows
- Spouting Accessories
- Truss Kits
- Cable and Accessories
- Flanges/Wedges
- Square Spouting
- Transitions
- Rack and Pinion Slide Gates
- Cushion Boxes/ Inline Flow Retarders
- DBAR Cushion Box
- Valves
- Overflows/ Gated Valves
- Branches
- Material Handling Equipment
- Lining Materials
- Product Dimensions
- Custom Projects

Transitions

Square to Round



Square Side	Round Side	10 Gauge	8 Gauge	Urethane Lined (Add)	¼" Ceramic Tile Lined (Add)
6"	6"	\$91.49		\$105.56	\$91.20
8"	8"	\$90.90	\$127.10	\$109.38	\$91.20
8"	6"	\$116.28	*	\$109.38	\$95.00
10"	10"	\$103.78	\$140.10	\$120.00	\$112.10
10"	8"	\$129.31	\$137.53	\$126.95	\$119.70
12"	12"	\$137.51	\$166.05	\$151.65	\$144.40
12"	10"	\$139.91	\$152.48	\$151.65	\$131.10
14"	14"	\$157.75	\$175.28	\$182.45	\$161.50
14"	12"	\$178.91	\$194.69	\$182.45	\$161.50
14"	10"	\$207.56	\$225.50	Call	\$190.00
16"	16"	\$206.29	\$218.84	\$218.75	\$193.80
16"	14"	\$201.28	\$224.90	\$218.75	\$193.80
18"	18"	Call	\$275.53	\$249.99	\$193.80

*Standard lined transitions have a 10 gauge body

Round to Round



Size	10 Gauge	8 Gauge	Urethane Lined (Add)	¼" Ceramic Tile Lined (Add)
8"-6"	\$82.50	-	\$109.38	\$100.70
10"-8"	\$93.75	\$98.75	\$126.95	\$102.60
10"-6"	\$147.50	-	Call	\$159.60
12"-10"	\$115.00	\$133.75	\$151.65	\$125.40
12"-8"	\$137.50	\$156.25	Call	\$167.20
14"-12"	\$128.75	\$151.25	\$182.45	\$144.40
14"-10"	\$158.75	\$186.25	Call	\$203.30

Square to Square

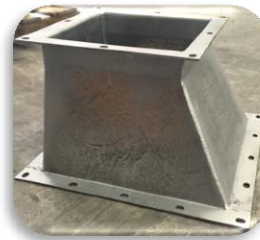


Size	10 Gauge	8 Gauge	Urethane Lined (Add)	¼" Ceramic Tile Lined (Add)
8"-6"	\$75.00	*	\$109.38	\$91.20
10"-8"	\$82.50	\$93.75	\$126.95	\$119.70
10"-6"	\$118.75	Call	Call	Call
12"-10"	\$102.50	\$127.79	\$151.65	\$131.10
12"-8"	\$137.50	Call	Call	Call
14"-12"	\$122.50	\$153.21	\$182.45	\$161.50
14"-10"	\$161.25	Call	Call	\$190.00

Flat Top Adapters

Size	10 Gauge	8 Gauge
6"	\$28.75	*
8"	\$33.75	\$40.00
10"	\$37.50	\$48.75
12"	\$52.50	\$67.50
14"	\$66.25	\$81.25
16"	\$81.25	\$122.50
18"	\$118.75	\$150.00
20"	Call	\$175.00
24"	Call	\$187.49

We manufacture custom transitions! Contact us today for configurations not listed on this page.



LCDM Drop-In Liners and Kits

Benefits and Upgraded Features of LCDM Transition Liners

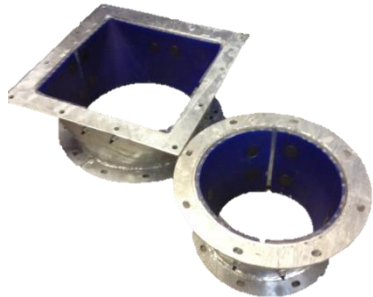
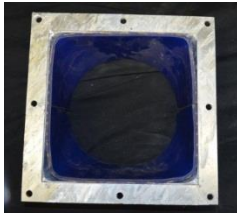


- Urethane Liners
 - o Pre lined transition ready to install
 - o Save time and money with the pre-formed liner kits (includes liner and hardware)
- Drop in Steel Liners
 - o No welding required
 - o Abrasive resistant material to extend the life of the transition
 - o Thin flange and oversized holes for easier installation
 - o Suggested use for:
 - Emergency repairs
 - Preventative maintenance
 - Saves you from replacing a complete lined transition



Square to Round/ Square to Square Size	Urethane Liner Kit (Includes pre-bent liner and hardware)
6"- 6"	\$81.25
8"- 8"	\$71.79
8"- 6"	\$75.00
10"- 10"	\$73.91
10"- 8"	\$87.50
12"- 12"	\$94.66
12"- 10"	\$100.00
14"- 14"	\$137.76
14"- 12"	\$112.50
14"- 10"	Call
16"- 16"	\$199.11

Round to Round Size	Urethane Liner Kit (Includes pre-bent liner and hardware)
8"- 6"	\$93.75
10"- 8"	\$93.75
12"- 10"	\$106.25
14"- 12"	\$118.75



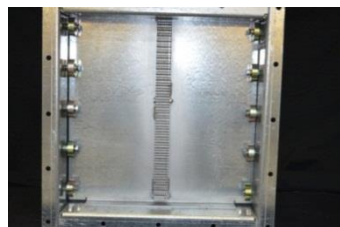
- Round Spouting
- Adjustable Elbows
- Spouting Accessories
- Truss Kits
- Cable and Accessories
- Flanges/Wedges
- Square Spouting
- Transitions**
- Rack and Pinion Slide Gates
- Cushion Boxes/ Inline Flow Retarders
- DBAR Cushion Box
- Valves
- Overflows/ Gated Valves
- Branches
- Material Handling Equipment
- Lining Materials
- Product Dimensions
- Custom Projects

LCDM Rack and Pinion Slide Gates

All stock gates are manufactured out of a heavy 8 Gauge material. The bodies of the gates are bolted together for easy part replacement.

- Zinc plated rollers for smooth opening and closing
- Oil-impregnated bushings
- Laminated rack and pinion
- Collars designed to limit leaking
- All slides are 8G thickness
- All gates are 5 ½” tall
- Chain/Hand wheel fabricated in house
- Dust covers are 10G material
- Chain/Hand Wheel has 1” bore
- Standard gate is electric ready
- Custom sizes available upon request
- Larger sizes available upon request

Size	8 Gauge	Dust Cover (10 Gauge) Add:	Dust Seal Kit (For fine material) Add:	12” Hand Wheel (Galvanized) Add:	11” Chain Wheel (Galvanized) Add:
6”	\$403.71	\$23.75	\$188	\$52.50	\$75.63
8”	\$464.10	\$27.50	\$188	\$52.50	\$75.63
10”	\$490.49	\$31.25	\$188	\$52.50	\$75.63
12”	\$556.90	\$35.00	\$188	\$52.50	\$75.63
14”	\$588.15	\$56.25	\$188	\$52.50	\$75.63
16”	\$638.53	\$67.50	\$188	\$52.50	\$75.63
18”	\$681.49	\$72.50	\$188	\$52.50	\$75.63
20”	\$812.78	\$72.50	\$188	\$52.50	\$75.63
22”	\$937.78	\$72.50	\$188	\$52.50	\$75.63
24”	\$978.01	\$72.50	\$188	\$52.50	\$75.63



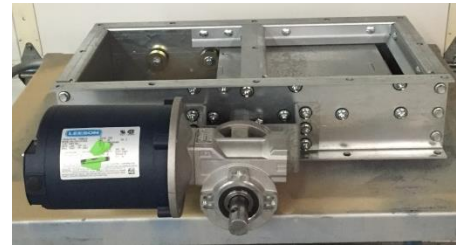
Hopper Adaptor Plate

- For use with hopper bottoms
- Heavy 10 Ga galvanized construction
- Slotted holes for easy installation
- Can only be used with LCDM slide gate (18”)
- **\$92.25/ea.**

Electric and Pneumatic Options

Electric Option(s)

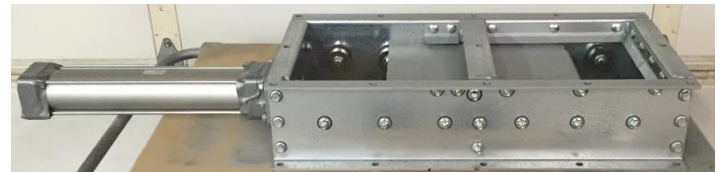
- Gear Head Motor Drive
- Electric option includes (1) motor, (1) reducer (2) limit switches, and (1) dust cover



Electric Operated				
(Add to price of slide gate on previous page)				
Size	Electric (1/3 HP, 110V)	Electric (1/3 HP, 240-480V)	Electric (1/3 HP, 110V) Explosion Proof	Electric (1/3 HP, 240-480V) Explosion Proof
6"	\$1,048.75	\$1,048.75	\$1,106	\$1,106
8"	\$1,048.75	\$1,048.75	\$1,106	\$1,106
10"	\$1,048.75	\$1,048.75	\$1,106	\$1,106
12"	\$1,048.75	\$1,048.75	\$1,106	\$1,106
14"	\$1,048.75	\$1,048.75	\$1,106	\$1,106
16"	\$1,048.75	\$1,048.75	\$1,106	\$1,106
18"	\$1,048.75	\$1,048.75	\$1,106	\$1,106
20"	\$1,048.75	\$1,048.75	\$1,106	\$1,106
22"	\$1,048.75	\$1,048.75	\$1,106	\$1,106
24"	\$1,048.75	\$1,048.75	\$1,106	\$1,106

Pneumatic Option(s)

- All pneumatic gates include (1) UHMW seal kit and exhaust mufflers



Pneumatic Operated						
(Add to price of slide gate on previous page)						
Size	Cylinder only (Mounted)	Cylinder mounted w/ Single Solenoid	Cylinder mounted w/ Double Solenoid	Indicator Switches (each)	Cylinder mounted w/Exp. Proof Single Solenoid	Cylinder mounted w/Exp. Proof Double Solenoid
6"	\$433.25	\$641.88	\$760.68	\$86.75	\$1,062.66	\$1,418.00
8"	\$463.08	\$671.70	\$790.50	\$86.75	\$1,092.49	\$1,447.84
10"	\$463.08	\$671.70	\$790.50	\$86.75	\$1,092.49	\$1,447.84
12"	\$463.08	\$671.70	\$790.50	\$86.75	\$1,092.49	\$1,447.84
14"	\$473.01	\$681.65	\$800.44	\$86.75	\$1,102.43	\$1,457.78
16"	\$482.91	\$691.55	\$435.35	\$86.75	\$1,112.33	\$1,467.68
18"	\$492.86	\$701.49	\$820.29	\$86.75	\$1,122.28	\$1,477.63
20"	\$502.80	\$711.44	\$830.23	\$86.75	\$1,132.21	\$1,487.56
22"	\$522.69	\$731.31	\$850.11	\$86.75	\$1,152.10	\$1,507.45
24"	\$522.69	\$731.31	\$850.11	\$86.75	\$1,152.10	\$1,507.45

Prices include pneumatic components mounted to slide gate

Cushion Boxes



Adjustable Cushion Box (Rd in/Rd out)

Size	10 Gauge (Painted)	10 Gauge (Galvanized)	8 Gauge (Painted)	8 Gauge (Galvanized)	1/4" (Galvanized)	1/4" Urethane Lined (Add)	1/4" Ceramic Tile Lined (Add)
6"	\$310.00	\$373.75	-	-	-	\$171.73	\$173
8"	\$310.00	\$393.75	\$373.75	\$473.75	\$514.56	\$171.73	\$177
10"	\$366.25	\$412.50	\$411.25	\$498.75	\$618.08	\$197.14	\$203
12"	\$461.25	\$556.25	\$586.25	\$623.75	\$739.11	\$305.96	\$334
14"	\$521.25	\$613.75	\$641.25	\$725.00	\$937.38	\$331.84	\$379
16"	Call	Call	\$821.25	\$998.75	\$1,406.54	\$386.94	\$395

* Larger sizes available upon request

* Liner options do not include square to round transition

Fixed Box Deadbox (45° and 90°) Galvanized



Size	10 Gauge (45°)	8 Gauge (45°)	10 Gauge (90°)	8 Gauge (90°)	1/4" Urethane Lined (Add)	1/4" Ceramic Tile Lined (Add)
6"	\$367.50	-	\$318.75	-	Call	Call
8"	\$417.50	\$511.25	\$376.25	\$443.75	Call	Call
10"	\$527.50	\$651.25	\$447.50	\$525	Call	Call
12"	\$666.25	\$781.25	\$543.75	\$658.75	Call	Call
14"	\$922.50	\$960.00	\$622.50	\$763.75	Call	Call
16"	Call	Call	Call	Call	Call	Call

* Larger sizes available upon request

* Liner options available upon request

Fixed Pipe Deadstop (45° and 60°) Galvanized



Size	10 Gauge (45°)	8 Gauge (45°)	10 Gauge (60°)	8 Gauge (60°)	1/4" Urethane Lined (Add)	1/4" Ceramic Tile Lined (Add)
6"	\$178.75	-	\$227.50	-	Call	Call
8"	\$205.00	\$242.50	\$278.75	\$318.75	Call	Call
10"	\$237.50	\$282.50	\$333.75	\$390.00	Call	Call
12"	\$341.25	\$372.50	\$478.75	\$527.50	Call	Call
14"	\$455.00	\$445.00	\$703.75	\$691.25	Call	Call
16"	Call	Call	Call	Call	Call	Call

* Larger sizes available upon request

* Liner options available upon request

Inline Flow Retarders and Overflow Valves

Inline Flow Retarder (Round in/Round out)

- For use in vertical spout runs every 30'-40'
- Inspection port for viewing/adjusting baffle
- Adjustable baffle for self-cleaning

Size	10 Gauge	8 Gauge	¼" Urethane Lined (Add)	¼" Ceramic Tile Lined (Add)
6"	\$363.70	-	Call	Call
8"	\$378.43	\$436.19	Call	Call
10"	\$412.08	\$659.56	Call	Call
12"	\$528.30	\$664.59	Call	Call
14"	\$867.40	\$951.79	Call	Call

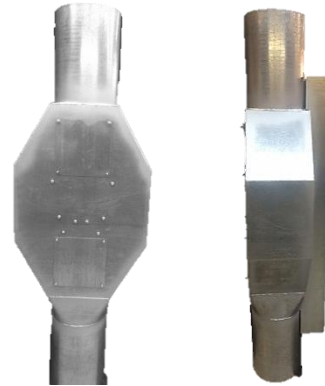


- Larger sizes available upon request

Inline Flow Retarder with Welding Sleeve (Round in/Round out)

- Recommended for use in angled spout runs more than 40'
- 2 inspection ports for viewing/adjusting baffle
- Adjustable baffle for self-cleaning

Size	8 Gauge	¼" Urethane Lined (Add)	¼" Ceramic Tile Lined (Add)
6"	Call	Call	Call
8"	\$615	Call	Call
10"	\$675	Call	Call
12"	\$831	Call	Call
14"	\$1,025	Call	Call
16"	\$1,128	Call	Call



- Larger sizes available upon request

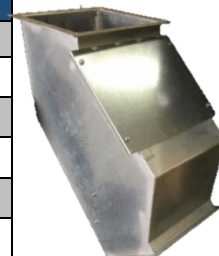
Expansion Joints

Vertical Drop Cushion Turnout

Size	10 Gauge	8 Gauge
6"	Call	Call
8"	Call	Call
10"	Call	Call
12"	Call	Call
14"	Call	Call
16"	Call	Call



Size	7 Gauge Plate with 7 Gauge AR Liner	1/4" Plate with 1/4" AR Liner
6"	Call	Call
8"	Call	Call
10"	Call	Call
12"	Call	Call
14"	Call	Call
16"	Call	Call



- Larger sizes available upon request

- Larger sizes available upon request

Round Spouting
Adjustable Elbows
Spouting Accessories
Truss Kits
Cable and Accessories
Flanges/Wedges
Square Spouting
Transitions
Rack and Pinion Slide Gates
Cushion Boxes/ Inline Flow Retarders
DBAR Cushion Box
Valves
Overflows/ Gated Valves
Branches
Material Handling Equipment
Lining Materials
Product Dimensions
Custom Projects



DBAR Cushion Box Testimonials

"We were experiencing grain quality issues on the longer spouts at this facility we built in 2013, in part because grain was being conveyed at 1500 to 2500 BPH from dryer, but the spout system and handling was designed for 7500 BPH. The lower volume in the down spouts resulted in considerable terminal damage at the "standard" cushion boxes."

"We tried the new LCDM cushion box on the two longest runs, experienced much less damage, and then changed out all of the old cushion boxes. The following year, the owner informed us that they were very happy with the results. The reduced damage paid for the change out many times over in just one year."

Dick: D&E Equipment

"We used no in-line flow retarders, just your cushion boxes on spout lengths up to and over 60' coming off 120' legs. We had zero issues with plugging or damage as a result of your product. Almost all of what we have hauled in so far has been less than 1% damage, including what we dried down from 25% out of the field."

Chris: Chrisman, Illinois

"We have had numerous "round style" cushion boxes installed in our grain system. Grain damage was evident every time we pulled grain out of the bins. Plus, the baffles were consistently wearing out. We decided to install the DBAR Cushion boxes ourselves and saw a significant improvement of grain quality. The boxes paid for themselves in the first trip to the mill!"

Wade: Nevada, Ohio

LCDM DBAR Cushion Box

Patent# 9052044 B2



Installation & Design

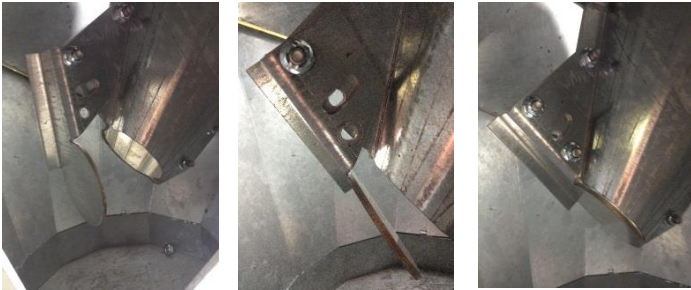
Easy installation for many applications! LCDM's patented design always ensures a cushion of grain inside the cone to minimize the amount of damaged grain.



Flexibility & Customization

Adjustable baffle for many degrees of self-cleaning & cushioning. Adjust the baffle for your specific material type!

Sizes available from 8" up to 20" in stock. Oversized service doors for easy maintenance, part replacement, and upgrades! Some of the cone upgrades include urethane and AR steel.



The adjustable baffle makes it easy for self-cleaning!



Size	Price (Standard)	Price (w/ service door)	Urethane Lined (Add)	AR Lined (Add)	Tuff Tube Cone Liner (Add)	Weight
8"	\$798.48	\$955.25	\$97.31	\$103.75	Call	70lbs
10"	\$987.59	\$1,152.24	\$120.25	\$77.50	Call	105lbs
12"	\$1,092.65	\$1,267.16	\$145.63	\$97.50	Call	150lbs
14"	\$1,292.28	\$1,478.76	\$184.50	\$131.25	Call	205lbs
16"	\$1,786.06	Standard	Standard	\$156.25	Call	260lbs
18"	\$1,912.14	Standard	Standard	\$187.50	Call	324lbs
20"	\$2,731.63	Standard	Standard	\$248.75	Call	395lbs

- Round Spouting
- Adjustable Elbows
- Spouting Accessories
- Truss Kits
- Cable and Accessories
- Flanges/Wedges
- Square Spouting
- Transitions
- Rack and Pinion Slide Gates
- Cushion Boxes/ Inline Flow Retarders
- DBAR Cushion Box**
- Valves
- Overflows/ Gated Valves
- Branches
- Material Handling Equipment
- Lining Materials
- Product Dimensions
- Custom Projects

Pan Style Valves

45° Y-Style Pan Valves



Size	10 Gauge Sq in/Sq out	10 Gauge Rd in/Rd out	8 Gauge Sq in/Sq out	8 Gauge Rd in/Rd out	AR Liner (Add)	1/4" Urethane Liner (Add)	1/4" Ceramic Tile Liner (Add)
6"	\$272.50	\$483.75	-	-	\$93.75	Call	Call
8"	\$321.25	\$537.50	\$373.75	\$668.75	\$93.75	Call	Call
10"	\$333.75	\$578.75	\$433.75	\$762.50	\$125.00	Call	Call
12"	\$402.50	\$730.00	\$495.00	\$895	\$156.25	Call	Call
14"	\$476.25	\$857.50	\$556.25	\$987.50	\$187.50	Call	Call
16"	-	-	\$563.75	\$1,123.75	\$218.75	Call	Call

*AR lined valves have 10G body

*Liner package is for valve only (does not include square to rounds or flat top).

*Add 20% for 60 degree valves

45° Offset Style Pan Valves



Size	10 Gauge Sq in/Sq out	10 Gauge Rd in/Rd out	8 Gauge Sq in/Sq out	8 Gauge Rd in/Rd out	AR Liner (Add)	1/4" Urethane Liner (Add)	1/4" Ceramic Tile Liner (Add)
6"	\$326.25	\$537.50	-	-	\$93.75	Call	Call
8"	\$348.75	\$565.00	\$452.50	\$740.00	\$93.75	Call	Call
10"	\$448.75	\$693.75	\$541.25	\$870.00	\$125.00	Call	Call
12"	\$565.00	\$926.25	\$666.25	\$1,066.25	\$156.25	Call	Call
14"	\$637.50	\$1,018.75	\$793.75	\$1,225.00	\$187.50	Call	Call

*AR lined valves have 10G body

*Liner package is for valve only (does not include square to rounds or flat top).

*Add 20% for 60 degree valves

45° 3-Way Style Pan Valves



Size	10 Gauge Sq in/Sq out	10 Gauge Rd in/Rd out	8 Gauge Sq in/Sq out	8 Gauge Rd in/Rd out	AR Liner (Add)	1/4" Urethane Liner (Add):	1/4" Ceramic Tile Liner (Add):
6"	Call	Call	Call	Call	Call	Call	Call
8"	Call	Call	Call	Call	Call	Call	Call
10"	Call	Call	Call	Call	Call	Call	Call
12"	Call	Call	Call	Call	Call	Call	Call
14"	Call	Call	Call	Call	Call	Call	Call

*AR lined valves have 10G body

*Liner package is for valve only (does not include square to rounds or flat top).

*Add 20% for 60 degree valves



Duff Norton Actuator Drive

Drive Options	Price
110V, single phase, TEFC, external limit switches	\$1,570.00
240V, three phase, TEFC, external limit switches	\$1,570.00

- *Add price of drive option to price of valve
- * Drive option includes (1) motor, (1) actuator, (2) limit switches
- *Explosion proof option available upon request
- *Three way valves take 2 drive units



Air Actuated Drive

Air Actuated Options	Price
Air Cylinder only, mounted	\$555.28
Air Cylinder with single solenoid, mounted	\$788.82
Air Cylinder with double solenoid, mounted	\$874.72
Limit switches, mounted (set of 2)	\$144.64

- *Add price of drive option to price of valve
- *Explosion proof option available upon request
- *Three way valves take 2 drive units



Round Spouting
Adjustable Elbows
Spouting Accessories
Truss Kits
Cable and Accessories
Flanges/Wedges
Square Spouting
Transitions
Rack and Pinion Slide Gates
Cushion Boxes/ Inline Flow Retarders
DBAR Cushion Box
Valves
Overflows/ Gated Valves
Branches
Material Handling Equipment
Lining Materials
Product Dimensions
Custom Projects

Overflow Valves (Round in/Round out)

- Includes inspection port

Size	10 Gauge	8 Gauge
6"	\$411.91	-
8"	\$446.94	\$544.56
10"	\$482.78	\$594.39
12"	\$561.59	\$653.13
14"	\$669.26	\$790.05
16"	-	\$1,053.60

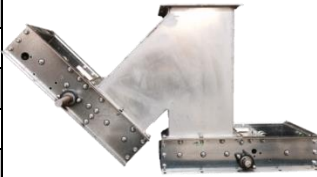


- Larger sizes available upon request

Synchronized Open Branch Slide Gates

- Includes inspection port

Size	10 Gauge	8 Gauge	Electric (Add)
6"	\$1,368.38	-	\$2,097.50
8"	\$1,334.35	\$1,383.85	\$2,097.50
10"	\$1,438.08	\$1,513.51	\$2,097.50
12"	\$1,678.54	\$1,815.28	\$2,097.50
14"	\$1,805.84	\$1,829.41	\$2,097.50
16"	\$1,937.78	\$1,994.44	\$2,097.50



- Larger sizes available upon request

Overflow with Internal 45° Slide Gate

*Includes (2) weather covers

Size	10 gauge	8 gauge	Electric Option (Add)	AR Lined (Add)	1/4" Ceramic Tile Lined (Add)
6"	\$871.25	-	\$1,048.75	Call	Call
8"	\$848.70	\$793.35	\$1,048.75	Call	Call
10"	\$912.35	\$871.25	\$1,048.75	Call	Call
12"	\$1,026.56	\$995.17	\$1,048.75	Call	Call
14"	\$1,187.78	\$1,104.95	\$1,048.75	Call	Call
16"	-	\$1,248.45	\$1,048.75	Call	Call

- Larger sizes available upon request



Slide Gate Y-Valve (Synchronized/Independent)

*Includes (4) weather covers

Size	10 gauge	8 gauge	Electric Option (Add)	AR Lined (Add)	1/4" Ceramic Tile Lined (Add)
6"	\$1,347.88	-	\$2,097.50	Call	Call
8"	\$1,394.00	\$1,440.13	\$2,097.50	Call	Call
10"	\$1,491.38	\$1,565.69	\$2,097.50	Call	Call
12"	\$1,688.69	\$1,778.38	\$2,097.50	Call	Call
14"	\$1,782.26	\$1,973.13	\$2,097.50	Call	Call
16"	\$1,860.38	\$2,232.45	\$2,097.50	Call	Call

- Larger sizes available upon request



Round Style Branches

(Call for Square Branch information)

45° Y Style Round Branch

Size	10 Gauge	8 Gauge	1/4" Urethane Lined (Add)	1/4" Ceramic Tile Lined (Add)
6"	\$128.75	-	Call	Call
8"	\$161.25	\$185.00	Call	Call
10"	\$190.00	\$230.00	Call	Call
12"	\$241.25	\$270.00	Call	Call
14"	\$272.50	\$356.25	Call	Call

*60° available upon request



45° Offset Style Round Branch

Size	10 Gauge	8 Gauge	1/4" Urethane Lined (Add)	1/4" Ceramic Tile Lined (Add)
6"	\$153.75	-	Call	Call
8"	\$175.00	\$201.25	Call	Call
10"	\$190.00	\$233.75	Call	Call
12"	\$266.25	\$325.00	Call	Call
14"	\$310.00	\$340.00	Call	Call

*60° available upon request



45° 3-Way Style Round Branch

Size	10 Gauge	8 Gauge	1/4" Urethane Lined (Add)	1/4" Ceramic Tile Lined (Add)
6"	\$207.50	-	Call	Call
8"	\$256.25	\$298.75	Call	Call
10"	\$267.50	\$328.75	Call	Call
12"	\$357.50	\$471.25	Call	Call
14"	\$426.25	\$488.75	Call	Call

*60° available upon request

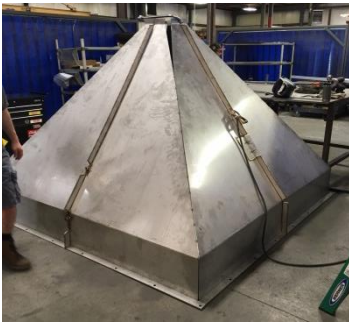


Round Spouting
Adjustable Elbows
Spouting Accessories
Truss Kits
Cable and Accessories
Flanges/Wedges
Square Spouting
Transitions
Rack and Pinion Slide Gates
Cushion Boxes/ Inline Flow Retarders
DBAR Cushion Box
Valves
Overflows/ Gated Valves
Branches
Material Handling Equipment
Lining Materials
Product Dimensions
Custom Projects

Specialized Material Handling Equipment

LCDM Corporation now offers specialized material handling equipment! Industries we serve (but not limited to) are specialized grain, food, food spices, and renewable energy. Photos of some of the projects we completed this past year are below.

Stainless Steel Hopper



Hopper and Structure



Custom Pneumatic Valve



Gravity Distributor



Hopper and Steel Structure



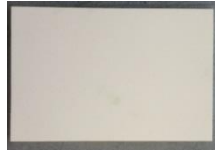
Magnet Housing Transition Grate



Lining Materials

Plain Ceramic Tile

Size	Price
1/4" x 4" x 6"	\$1.61
1/4" x 2" x 6"	\$0.56
1/4" x 1" x 6"	\$0.29
1/4" x 1" x 4"	\$0.23
1/2" x 4" x 6"	\$2.13



Hex Ceramic Tile

Size	Price
1/4" x 6" x 6"	\$3.81
1/2" x 6" x 6"	\$5.44



* Colored tile (pink or brown) is available for equipment handling rice. Please call for pricing.

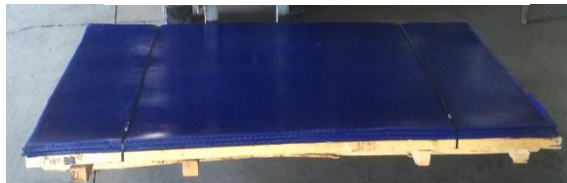
Adhesive/Epoxy Kits

LCDM offers a silicone adhesive and a 2-part epoxy kit with our ceramic tiles. Please call us for more information and pricing!



Urethane Sheets

- Cloth backed
- Expanded Metal backed
- Ceramic Chip Impregnated



High Energy Orange Sheets

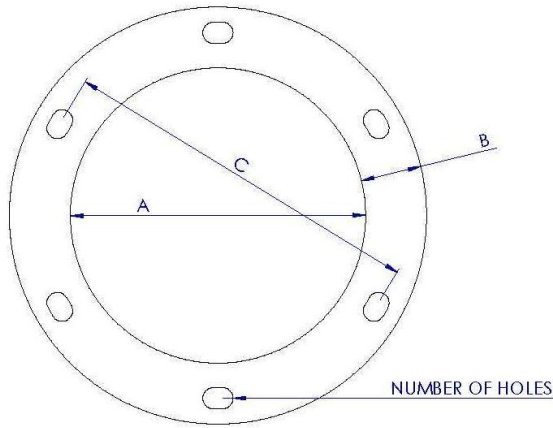


UHMW Sheets

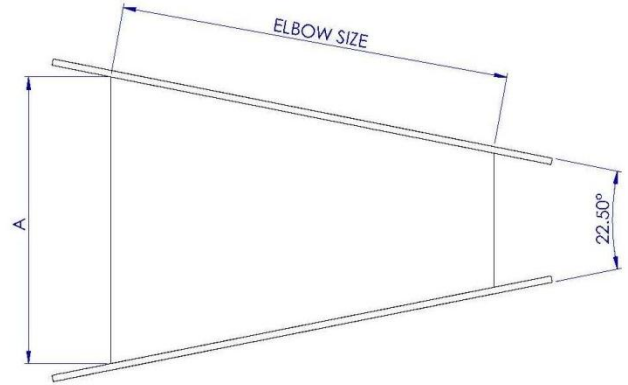


Round Spouting
Adjustable Elbows
Spouting Accessories
Truss Kits
Cable and Accessories
Flanges/Wedges
Square Spouting
Transitions
Rack and Pinion Slide Gates
Cushion Boxes/ Inline Flow Retarders
DBAR Cushion Box
Valves
Overflows/ Gated Valves
Branches
Material Handling Equipment
Lining Materials
Product Dimensions
Custom Projects

Angle Iron Rings (FLAR)



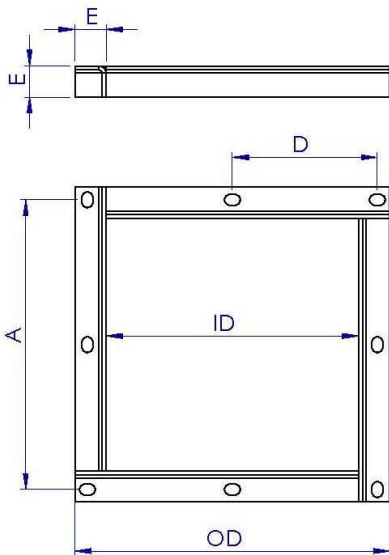
Adjustable Elbow (ELTE)



Size	A	B	C	# of holes	Weight
6"	6 1/16"	1 1/4"	7 1/2"	6	1.8
8"	8 1/16"	1 1/4"	9 1/2"	8	2.3
10"	10 1/16"	1 1/4"	11 1/2"	8	2.8
12"	12 1/8"	1 1/2"	13 13/16"	12	6
14"	14 1/8"	1 1/2"	15 13/16"	12	7
16"	16 1/8"	1 1/2"	18 1/8"	16	8
18"	18 1/8"	1 1/2"	20 1/8"	16	8.5
20"	20 1/8"	1 1/2"	22 1/8"	20	9.5
22"	22 3/8"	1 1/2"	24 1/8"	20	10.8
24"	24 3/8"	1 1/2"	26 1/8"	20	11.5

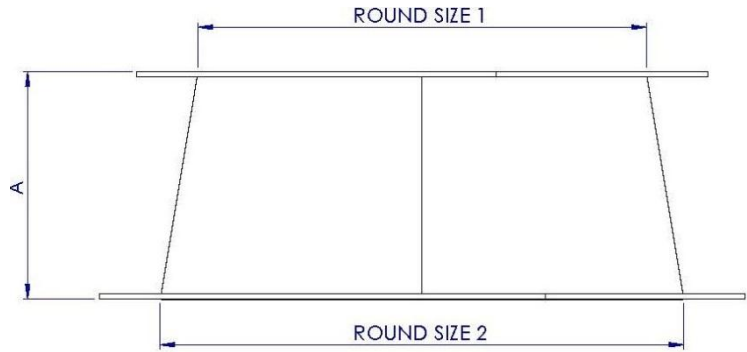
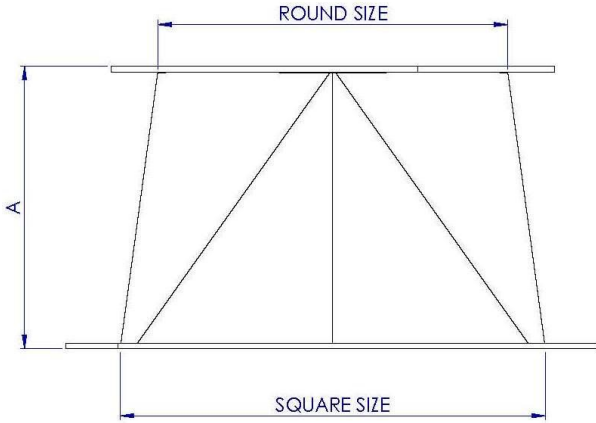
Size	A
6"	5"
8"	6"
10"	7"
12"	8"
14"	9"
16"	10"

Angle Iron Flange (FLAS)



Size	A	O.D	I.D	D	E
6"	7 5/8"	8 5/8"	6 1/8"	3 13/16"	1 1/4"
8"	9 5/8"	10 5/8"	8 1/8"	4 13/16"	1 1/4"
10"	11 5/8"	12 5/8"	10 1/8"	5 13/16"	1 1/4"
12"	14"	15 1/8"	12 1/8"	4 21/32"	1 1/2"
14"	16"	17 1/8"	14 1/8"	4"	1 1/2"
16"	18"	19 1/8"	16 1/8"	4 1/2"	1 1/2"
18"	20"	21 1/8"	18 1/8"	5"	1 1/2"
20"	22"	23 1/8"	20 1/8"	5 1/2"	1 1/2"
22"	24"	25 1/8"	22 1/8"	4"	1 1/2"
24"	26"	27 1/8"	24 1/8"	4 21/64"	1 1/2"

Square to Round (TRSR) and Square to Square (TRSS) Transitions



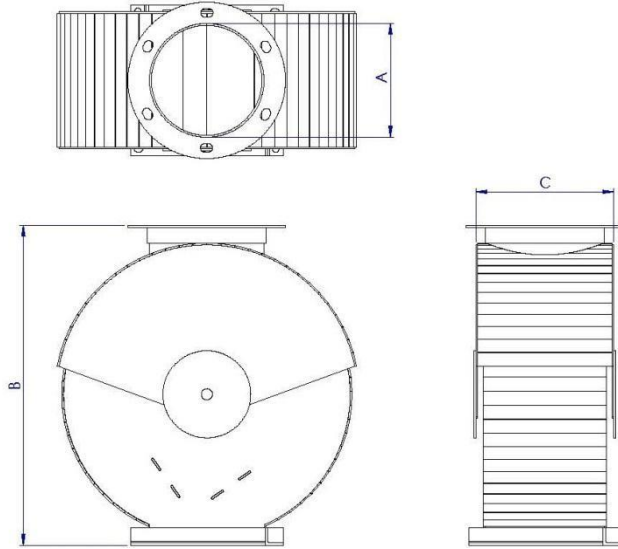
Square	Round	Height
6"	6"	5 1/4"
8"	6"	6 3/4"
8"	8"	5 1/4"
10"	8"	6 3/4"
10"	10"	5 1/4"
12"	10"	8"
12"	12"	6 1/4"
14"	10"	10"
14"	12"	10"
14"	14"	6 1/4"
16"	10"	10"
16"	12"	10"
16"	14"	10"
16"	16"	10"
18"	14"	10"
18"	16"	10"
18"	18"	10"
20"	16"	10"
20"	18"	10"
20"	20"	10"
24"	20"	10"
24"	22"	10"
24"	24"	10"

Round to Round Reducers

- 2" Reduction Reducers are 6" tall
- 4" Reduction Reducers are 12" tall
- 6" Reduction Reducers are 18" tall

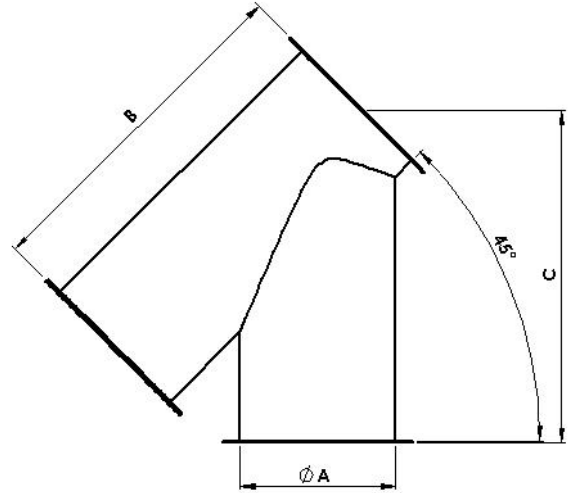
*Square to Round and Square to Square Transitions have the same height.

Round Cushion Box (DBAC)



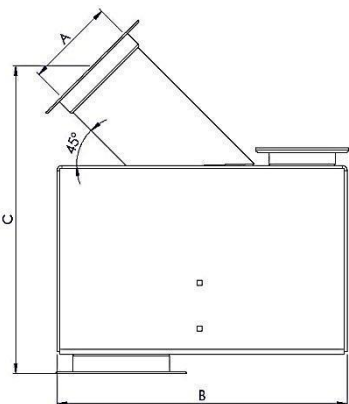
Size (A)	B	C
6"	20 5/8"	7 3/8"
8"	22 3/8"	9 3/8"
10"	26"	11 3/8"
12"	30 7/8"	13 3/8"
14"	31"	15 3/8"
16"	38 3/4"	17 3/8"

Pipe Deadbox (45°) (DBFP)



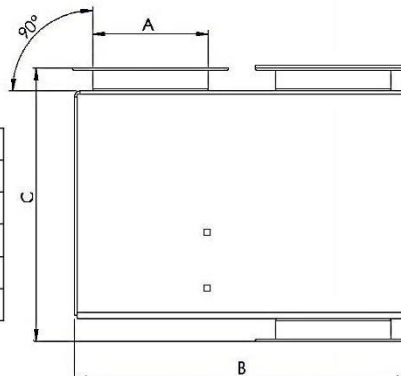
Size (A)	B	C
6"	18.4"	19"
8"	23.3"	24.3"
10"	28.5"	29.5"
12"	33.7"	35.2"
14"	38.7"	40.4"

Box Style Deadbox (45°) (DBFB90)



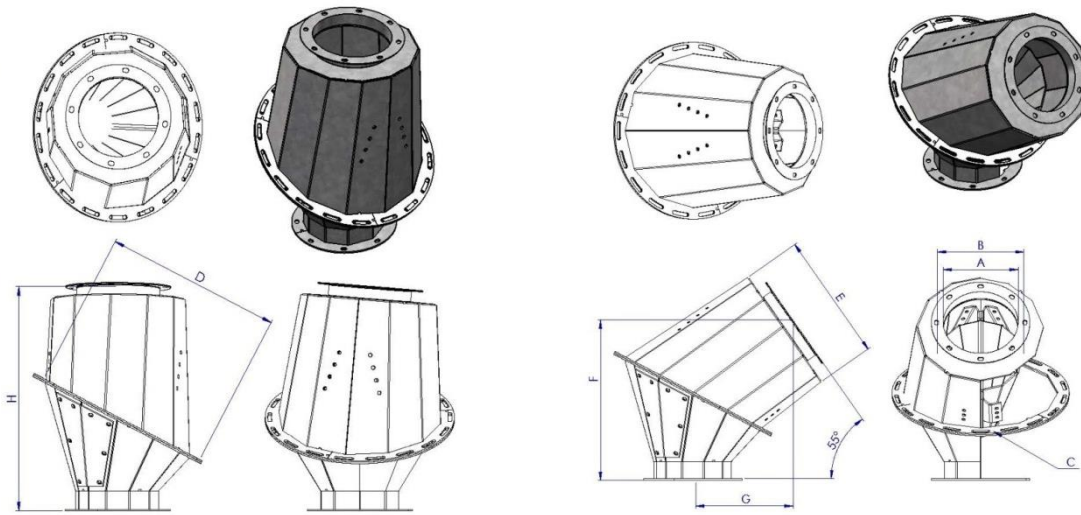
Size (A)	B	C
6"	18 11/16"	20 11/16"
8"	24 5/16"	26 3/16"
10"	30"	31 13/16"
12"	35 11/16"	35 5/16"
14"	41 3/8"	38 7/8"

Box Style Deadbox (90°) (DBFB45)



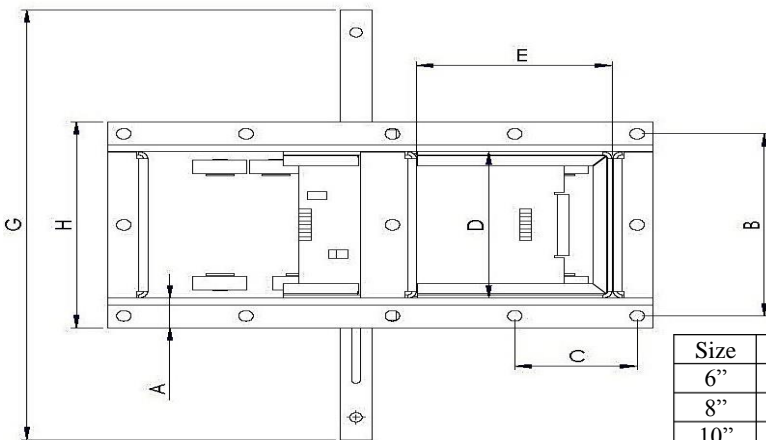
Size (A)	B	C
6"	18"	16"
8"	22"	20"
10"	26"	24"
12"	30"	26"
14"	34"	28"

LCDM Commercial Deadbox (DBAR)



Size (A)	B	C	D	E	F	G	H
8"	9"	3"	16"	14"	17"	11"	28"
10"	11"	3"	20"	17"	21"	13"	27"
12"	13"	3"	24"	20"	24"	16"	33"
14"	15"	3"	28"	23"	28"	19"	38"
16"	17"	3"	32"	26"	32"	22"	43"
18"	19"	3"	36"	29"	34"	23"	48"
20"	21"	3"	40"	32"	38"	25"	53"

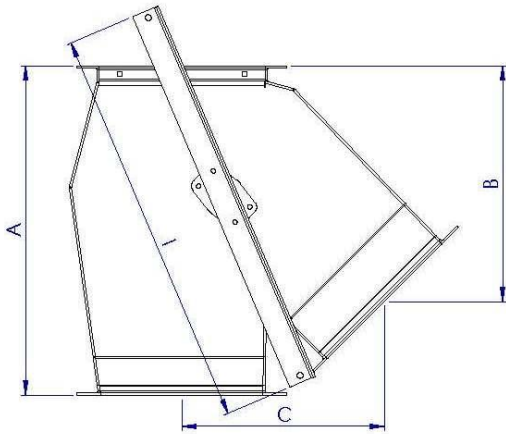
Rack and Pinion Slide Gates (GTRS)



Size	A	B	C	D/E	Length	G	H
6"	1 1/4"	7 5/8"	3 13/16"	6 1/8"	17"	18"	8 5/8"
8"	1 1/4"	9 5/8"	4 13/16"	8 1/8"	21"	20"	10 5/8"
10"	1 1/4"	11 5/8"	5 13/16"	10 1/8"	25"	22"	12 5/8"
12"	1 1/2"	14"	4 21/32"	12 1/8"	29 1/2"	24"	15 1/8"
14"	1 1/2"	16"	4"	14 1/8"	33 1/2"	26"	17 1/8"
16"	1 1/2"	18"	4 1/2"	16 1/8"	37 1/2"	28"	19 1/8"
18"	1 1/2"	20"	5"	18 1/8"	41 1/2"	30"	21 1/8"
20"	1 1/2"	22"	5 1/2"	20 1/8"	45 1/2"	32"	23 1/8"
24"	1 1/2"	26"	4 21/64"	24 1/8"	53 1/2"	36"	27 1/8"

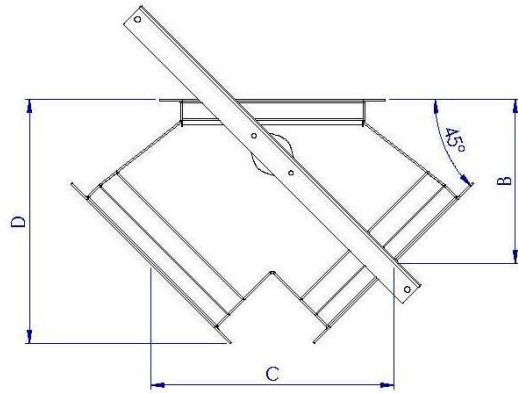
***All Gates are 5 1/2" tall**

45° K-Type Pan Valve (VAKS)



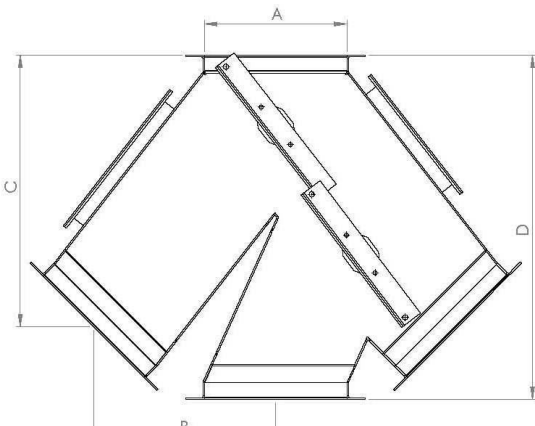
Size	A	B	C
6"	13"	9 3/8"	8 1/8"
8"	16"	11 3/8"	9 3/4"
10"	19 7/8"	14 1/4"	12 1/4"
12"	23 3/4"	17"	14 5/8"
14"	27 3/4"	19 3/4"	17"

45° Y-Type Pan Valve (VAYS)



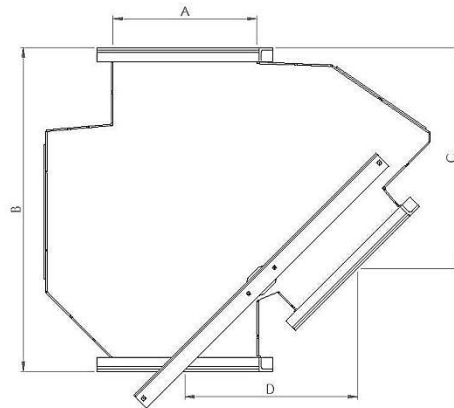
Size (A)	B	C	D
6"	7"	10"	10"
8"	7 5/8"	11 7/8"	11 3/8"
10"	9 5/8"	15 1/2"	14"
12"	11 1/4"	16 1/2"	16 3/5"
14"	12 1/4"	18 1/2"	18 5/9"

Three-Way Valve (VATS)



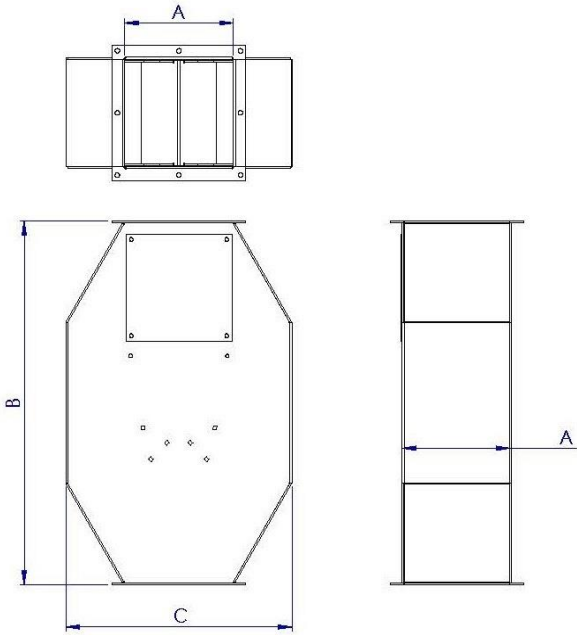
Size	A	B	C
6"	6"	8 1/8"	12 1/4"
8"	8"	13 1/8"	18 1/4"
10"	10"	17 1/4"	23"
12"	12"	15 5/8"	23 1/4"
14"	14"	16 1/2"	24 7/8"
16"	16"	21"	31 1/4"

Damper Style Valve (VAKSD)



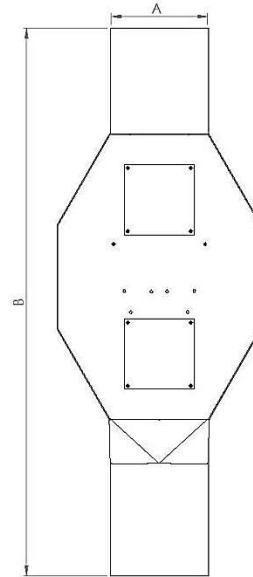
Size	A	B	C	Size	A	B	C
6"	6"	15 3/8"	11 1/4"	18"	18"	39 3/8"	28"
8"	8"	19 1/2"	14 1/2"	20"	20"	43 1/8"	31"
10"	10"	23"	16 1/2"	22"	22"	46 3/4"	33 3/4"
12"	12"	26 3/4"	19 1/2"	24"	24"	50"	34 3/4"
14"	14"	31 1/8"	20"	30"	30"	61 3/8"	43 3/8"
16"	16"	35 1/4"	24 1/2"				

Inline Flow Retarder (FRIS)



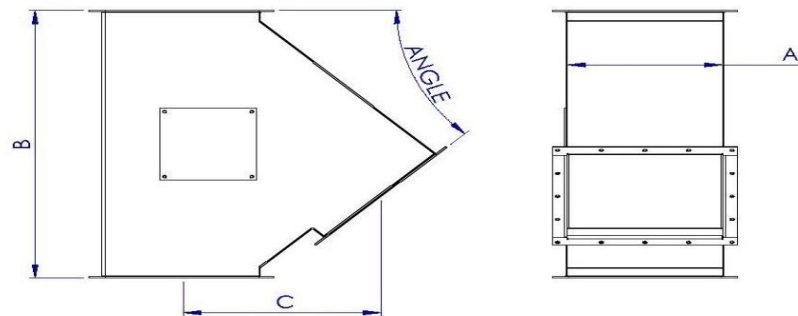
Size (A)	B	C
6"	26"	13"
8"	32"	17"
10"	34"	21"
12"	37"	25"
14"	40 1/2"	29"

Flow Retarder with Welding Sleeve (FRIR)



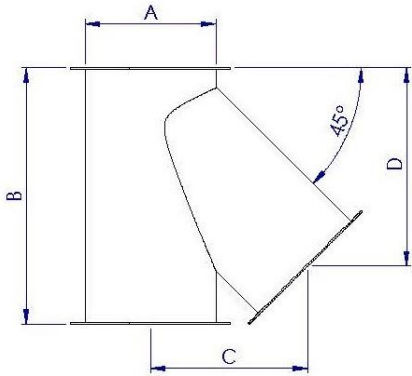
Size	A	B
6"	6"	62 3/8"
8"	8"	68 3/8"
10"	10"	70 3/8"
12"	12"	74 3/8"
14"	14"	78

Overflow Valve (OVFS)



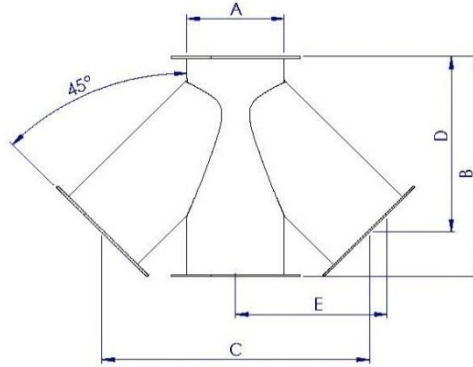
Size (A)	B	C
6"	22 1/2"	15"
8"	25 1/2"	17 7/8"
10"	28 1/4"	20 5/8"
12"	31"	23 1/4"
14"	34"	25 7/8"

Branch (Offset) BRPK



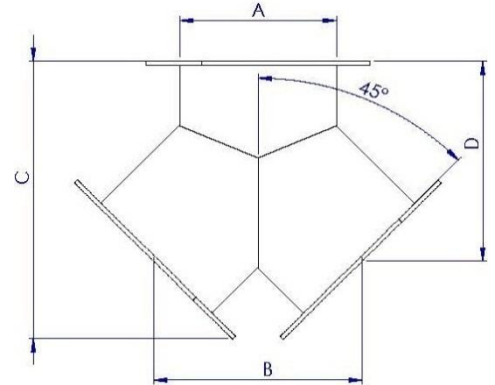
Size (A)	B	C	D
6"	16"	9"	17"
8"	18"	11"	19"
10"	21"	13"	17"
12"	25"	15"	19"
14"	28"	17"	22"

Branch (Three-Way) BRPT



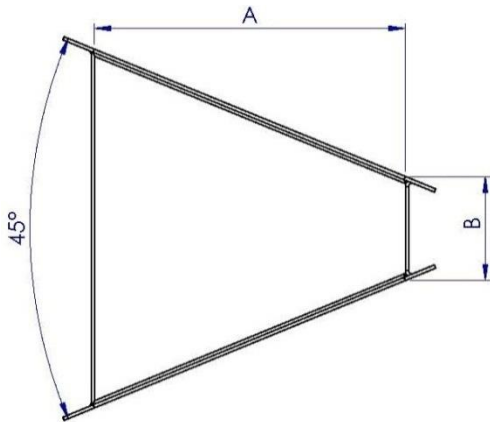
Size (A)	B	C	D	E
6"	16"	19"	13"	9"
8"	18"	22"	15"	11"
10"	21"	25"	17"	13"
12"	25"	30"	19"	15"
14"	28"	33"	22"	16"

Branch (Two-Way) BRPY

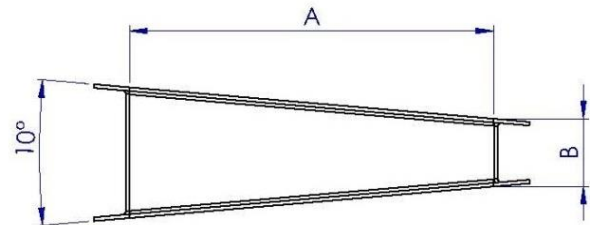


Size (A)	B	C	D	E
6"	16"	19"	13"	9"
8"	18"	22"	15"	11"
10"	21"	25"	17"	13"
12"	25"	30"	19"	15"
14"	28"	33"	22"	16"

Square Wedges (45° and 10°) (WGFS)



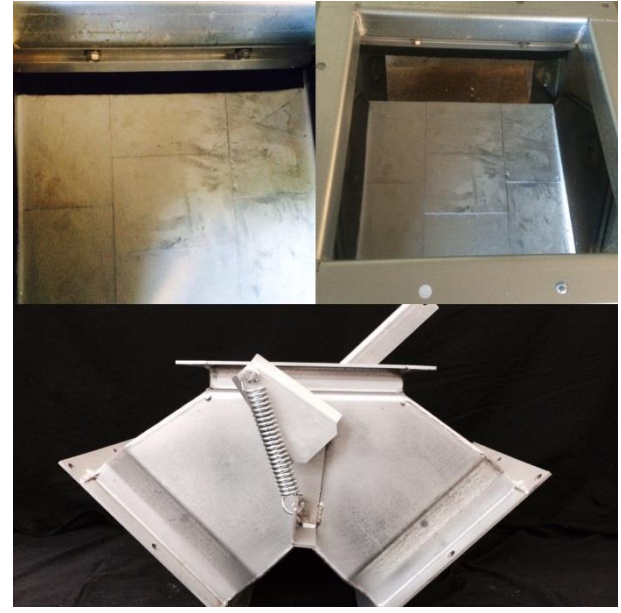
Size (A)	B
6"	4"
8"	4"
10"	4"
12"	5"
14"	5"
16"	5"



Size (A)	B
6"	2.5"
8"	2.5"
10"	2.5"
12"	3"
14"	3"
16"	3"



Custom Grain Spreader



Ceramic Tile Lined Y-Valve

**We manufacture custom parts!
Please contact us for any questions
you may have!**



Gated Y-Valve



Gated Overflow w/AR

From the staff at LCDM:

Thank you for
your continued
support and
business!

Len, Chuck, Jeff, Josh, Ray, Leslie, and John